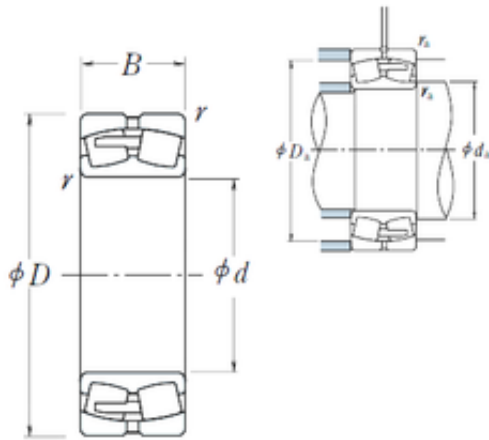




BEARING USA CORP.

239/800CAE4 NSK Spherical Roller Bearing



Bearing No. 239/800CAE4

Size	800x1060x195 mm
Bore Diameter	800 mm
Outer Diameter	1060 mm
Width	195 mm
d	800 mm
D	1060 mm
B	195 mm
C	195 mm
r min.	6 mm
da min.	828 mm
Da min	987 mm
Da max.	1032 mm
ra max.	5 mm
Weight	462 Kg
Basic dynamic load rating (C)	5600 kN
Basic static load rating (C0)	13700 kN
(Grease) Lubrication Speed	220 r/min
(Oil) Lubrication Speed	260 r/min
Calculation factor (e)	0,17
Calculation factor (Y0)	3,9
Calculation factor (Y2)	6

239/800CAE4 Bearing 2D drawings and 3D CAD models