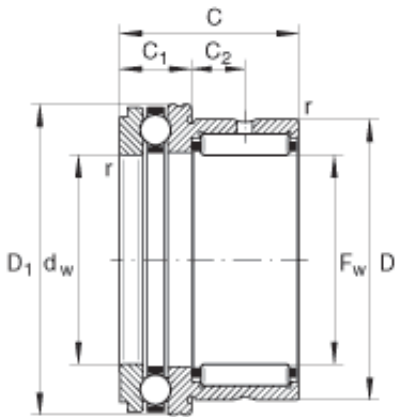




# BEARING USA CORP.

## 3310A Angular Contact Ball Bearing 50\*110\*44.4mm

Bearing No. NKX12



NKX12 Bearing 2D drawings and 3D CAD models

Size	12x21x23 mm
Bore Diameter	12 mm
Outer Diameter	21 mm
Width	23 mm
$F_w$	12 mm
D	21 mm
C - 23 mm / Tolerance: -0,25	23 mm / Tolerance: 0,25
$C_1$ - 9 mm / Tolerance: -0,2	9 mm / Tolerance: 0,2
$C_2$	6,5 mm
$D_{1 \max}$	26,1 mm
$d_a$	21,7 mm
$d_w$	12 mm / Tolerance: E8
$r_{a \max}$	0,3 mm
$r_{\min}$	0,3 mm
	NAXK12 / Designation to DIN 5429
m	38 g / Weight
$C_r$	10100 N / Dynamic load rating (radial)
$C_{0r}$	11000 N / Static load rating (radial)
$C_a$	10300 N / Dynamic load rating (axial)
$C_{0a}$	15400 N / Static load rating (axial)



## BEARING USA CORP.

$C_{ur}$	1920 N / Fatigue limit load, radial
$C_{ua}$	740 N / Fatigue limit load, axial
$n_G$	11000 1/min / Limiting speed
	IR9X12X16 / Suitable inner ring
Category	Thrust Roller Bearing
Inventory	0.0
Manufacturer Name	SCHAEFFLER GROUP
Minimum Buy Quantity	N/A
Weight / Kilogram	0.04
EAN	4012802702590
Product Group	B00234
Rolling Element	Combination - Needle Roller and Thrust Ball Bearing
Self Aligning	No
Component Description	Roller Assembly plus Raceways
Thrust Bearing	Yes
Single or Double Direction	Single Direction
Banded	No
Cage Material	Steel
Precision Class	ABEC 1   ISO P0
Long Description	12MM Bore 1; 12MM Bore 2; 21MM Outside Diameter; 23MM Height; Combination - Needle Roller and Thrust Ball Bearing; Single Direction; Not Self Aligning; Not Banded; Steel Cage; ABEC 1   ISO P0; Roller
Inch - Metric	Metric
Category	Thrust Roller Bearings



## BEARING USA CORP.

UNSPSC	31171537
Harmonized Tariff Code	8482.80.00.40
Noun	Bearing
Keyword String	Combination
Manufacturer URL	<a href="http://www.ina.com">http://www.ina.com</a>
Manufacturer Item Number	NKX12
Weight / LBS	0.084
Bore 2	0.472 Inch   12 Millimeter
Bore 1	0.472 Inch   12 Millimeter
Overall Height with Aligning Washer	0 Inch   0 Millimeter
Height	0.906 Inch   23 Millimeter
Outside Diameter	0.827 Inch   21 Millimeter