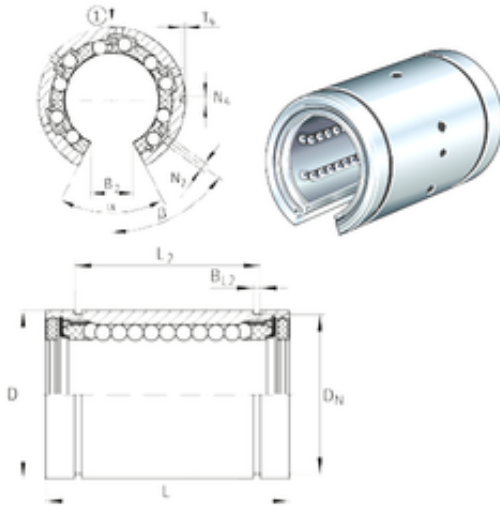




BEARING USA CORP.

71964ACD/P4A Angular Contact Ball Bearing 320x440x56mm

Bearing No. KBO16



KBO16 Bearing 2D drawings and 3D CAD models

Bore Diameter	16 mm
Outer Diameter	26 mm
Fw	16 mm
D	26 mm
Dn	24,9 mm
L2	24,6 mm
B2	10,1 mm
N2	2 mm
L	36 mm
BL2	1,3 mm
T4	1,2 mm
N4	2,2 mm
Weight	0,04 Kg
Basic dynamic load rating (C)	0,8 kN