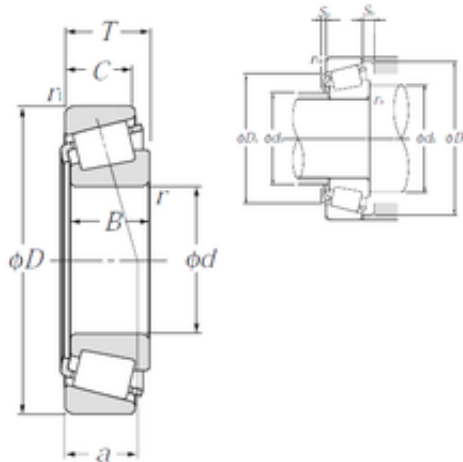




BEARING USA CORP.



140 mm x 250 mm x 42 mm 3314-B-TVH
 Double Row Angular Contact Ball Bearing
 70x150x63.5mm

Bearing No. 30228

30228 Bearing 2D drawings and 3D CAD models

Size	140x250x45.75 mm
Bore Diameter	140 mm
Outer Diameter	250 mm
Width	45,75 mm
d	140 mm
D	250 mm
T	45,75 mm
B	42 mm
C	36 mm
ra1 max.	2,5 mm
a	47,5 mm
r min.	3 mm
r1 min.	3 mm
da min.	158 mm
Da min	219 mm
Da max.	236 mm
db max.	163 mm
Db min.	237 mm
ra max.	2,5 mm
Sa	7 mm
Sb	9,5 mm
Weight	8,37 Kg
Basic dynamic load rating (C)	375 kN
Basic static load rating (C0)	485 kN



BEARING USA CORP.

(Grease) Lubrication Speed	1 400 r/min
(Oil) Lubrication Speed	1 900 r/min
Calculation factor (e)	0,43
Calculation factor (Y0)	0,77
d1	186 mm
rs min	3 mm
r1s min	3 mm
e	0.43
Y2	1.39
Y0	0.77
Mass	8.37 kg
Dynamic load, C	375 kN
Rating life coefficient, A2	1
Static load, C0	485 kN
Fatigue limit load, Cu	48.5 kN
Nlim (oil)	1,900 rpm
Nlim (grease)	1,400 rpm
Min operating temperature, Tmin	-40 ° C
Max operating temperature, Tmax	120 ° C
Characteristic cage frequency, FTF	0.43 Hz
Characteristic rolling element frequency, BSF	6.8 Hz
Characteristic outer ring frequency, BPF0	7.75 Hz
Characteristic inner ring frequency, BPF1	10.25 Hz
da max	163 mm
db min	158 mm
Da max	236 mm
Db min	237 mm
Ca min	7 mm



BEARING USA CORP.

Cb min	9.5 mm
ra max	2.5 mm
r1a max	2.5 mm
Category	Roller Bearings
Inventory	4.0
Manufacturer Name	NTN
Minimum Buy Quantity	N/A
Weight / Kilogram	8.408
EAN	4547359292459
Product Group	B04336