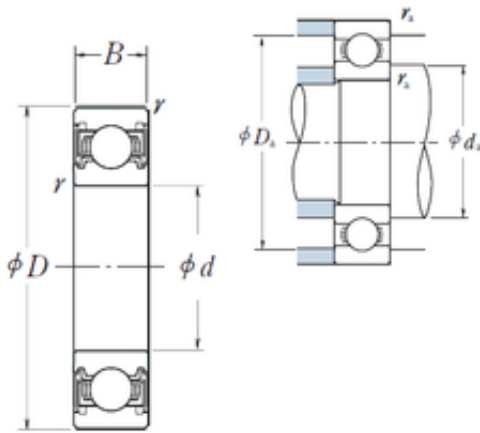




BEARING USA CORP.



85 mm x 110 mm x 13 mm BAHB311433B
 Bearing 40mm x 72mm x 36mm

Bearing No. 6817VV

6817VV Bearing 2D drawings and 3D CAD models

Size	85x110x13 mm
Bore Diameter	85 mm
Outer Diameter	110 mm
Width	13 mm
d	85 mm
D	110 mm
B	13 mm
C	13 mm
r min.	1 mm
da min.	90 mm
da max	90,5 mm
Da max.	105 mm
ra max.	1 mm
Weight	0,263 Kg
Basic dynamic load rating (C)	18,7 kN
Basic static load rating (C0)	20 kN
(Grease) Lubrication Speed	5 600 r/min
Category	Single Row Ball Bearings
Inventory	0.0
Manufacturer Name	NSK
Minimum Buy Quantity	N/A
Weight / Kilogram	0.25
Product Group	B00152
Enclosure	2 Seals
Precision Class	ABEC 1 ISO P0



BEARING USA CORP.

Maximum Capacity / Filling Slot	No
Rolling Element	Ball Bearing
Snap Ring	No
Internal Special Features	No
Cage Material	Steel
Enclosure Type	Non-Contact Seal
Internal Clearance	C0-Medium
Inch - Metric	Metric
Long Description	85MM Bore; 110MM Outside Diameter; 13MM Outer Race Diameter; 2 Seals; Ball Bearing; ABEC 1 ISO P0; No Filling Slot; No Snap Ring; No Internal Special Features
Category	Single Row Ball Bearing
UNSPSC	31171504
Harmonized Tariff Code	8482.10.50.68
Noun	Bearing
Keyword String	Ball
Manufacturer URL	http://www.nskamericas.com
Manufacturer Item Number	6817VV
Weight / LBS	0.32
Outer Race Width	0.512 Inch 13 Millimeter
Bore	3.346 Inch 85 Millimeter
Outside Diameter	4.331 Inch 110 Millimeter
bore diameter:	85 mm
closure type:	Double Sealed
outside diameter:	110 mm
internal clearance:	Normal Clearance
overall width:	13 mm
manufacturer upc number:	029176030321
bore type:	Round



BEARING USA CORP.

SRI	3.7
hidYobi	6817VV
LangID	1
D_	110
SREX	0.02
B_	13
da min	90
hidTable	ecat_NS RDGB
SRE	3.7
mass	0.263
GRS rpm	5600
ra	1
SRIX	0.02
D_a	105
SRIN	-0.02
C0	20
fo	17.1
SREN	-0.02
DE_	104.644
Prod_Type3	DGBB_SR_VV
DA_	7.144
bomp	0
Z_	23
yobi	6817VV
C_conv	18700
ALPHA_	0
SDM_	97.5
r	1
KBRG	6151
SBRG	18
DI_	90.356