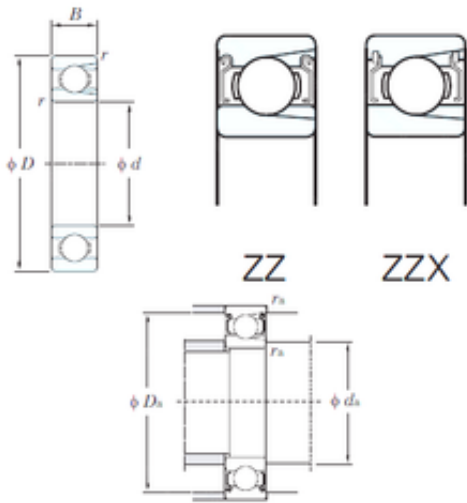




BEARING USA CORP.



55 mm x 100 mm x 21 mm CSXA050 Thin
Section Bearing 127x139.7x6.35mm

Bearing No. M6211ZZ

Size	55x100x21 mm
Bore Diameter	55 mm
Outer Diameter	100 mm
Width	21 mm
d	55 mm
D	100 mm
B	21 mm
C	21 mm
r min.	1.5 mm
da min.	63 mm
da max	66 mm
Da max.	92 mm
ra max.	1.5 mm
Weight	0.626 Kg
Basic dynamic load rating (C)	48.1 kN
Basic static load rating (C0)	44.1 kN
(Grease) Lubrication Speed	6300 r/min

M6211ZZ Bearing 2D drawings and 3D CAD models