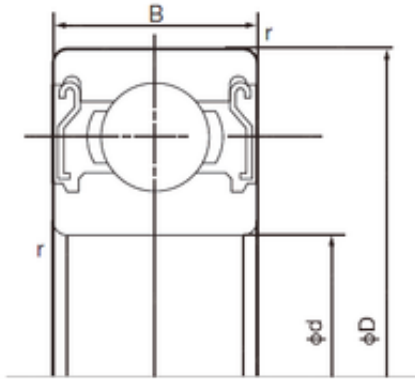




BEARING USA CORP.

17 mm x 47 mm x 14 mm HC LM603049
Tapered Roller Bearing 45.242x77.788x21.43mm



Bearing No. 6303ZZE

6303ZZE Bearing 2D drawings and 3D CAD models

Size	17x47x14 mm
Bore Diameter	17 mm
Outer Diameter	47 mm
Width	14 mm
d	17 mm
D	47 mm
B	14 mm
C	14 mm
r min.	1.0 mm
da min.	23 mm
Da max.	41 mm
ra max.	1.0 mm
Weight	0.115 Kg
Basic dynamic load rating (C)	13,6 kN
Basic static load rating (C0)	6,55 kN
(Grease) Lubrication Speed	15000 r/min
Category	Single Row Ball Bearings
Inventory	0.0
Manufacturer Name	NACHI
Minimum Buy Quantity	N/A
Weight / Kilogram	0
Product Group	B00308
Enclosure	2 Metal Shields
Precision Class	ABEC 1 ISO P0
Maximum Capacity / Filling	No



BEARING USA CORP.

Slot	
Rolling Element	Ball Bearing
Snap Ring	No
Internal Special Features	No
Cage Material	Steel
Internal Clearance	C0-Medium
Inch - Metric	Metric
Long Description	17MM Bore; 47MM Outside Diameter; 14MM Outer Race Width; 2 Metal Shields; Ball Bearing; ABEC 1 ISO P0; No Filling Slot; No Snap Ring; No Internal Special Features; C0-Medium Internal Clearance; Stee
Other Features	Deep Groove
Category	Single Row Ball Bearing
UNSPSC	31171504
Harmonized Tariff Code	8482.10.50.68
Noun	Bearing
Keyword String	Ball
Manufacturer URL	http://www.nachiamerica.com
Weight / LBS	0.2403
Inner Race Width	0 Inch 0 Millimeter
Bore	0.669 Inch 17 Millimeter
Outer Race Width	0.551 Inch 14 Millimeter
Outside Diameter	1.85 Inch 47 Millimeter
Bore Type	Cylindrical Bore
Configuration	Single Row
Bore Size	17 mm
Width	14 mm
Fillet Radius/Chamfer	1 mm
Dynamic Load Rating	13,600 N



BEARING USA CORP.

Static Load Rating	6,550 N
Limiting Speed - Grease	16,000 rpm
Factor f_0	12.3
Radial Clearance	0.003 to 0.018 mm
d_a (min)	23 mm
D_a (max)	41 mm
r_a (max)	1 mm