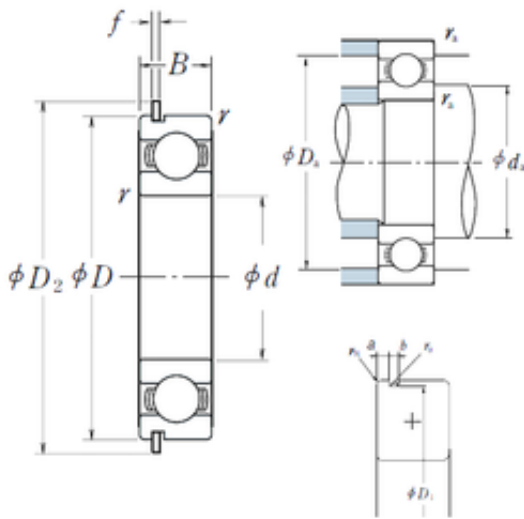




BEARING USA CORP.

60 mm x 95 mm x 18 mm SX05A87 Deep Groove Ball Bearing 25x52x15/14mm

Bearing No. 6012NR



6012NR Bearing 2D drawings and 3D CAD models

Size	60x95x18 mm
Bore Diameter	60 mm
Outer Diameter	95 mm
Width	18 mm
d	60 mm
D	95 mm
B	18 mm
C	18 mm
rn	0,5 mm
a	2,87 mm
b	2,7 mm
f	2,46 mm
r min.	1,1 mm
r0 max.	0,6 mm
D1	91,82 mm
D2	101,6 mm
da min.	66,5 mm
da max	69 mm
Da max.	88,5 mm
ra max.	1 mm
Weight	0,412 Kg
Basic dynamic load rating (C)	29,5 kN
Basic static load rating (C0)	23,2 kN
(Grease) Lubrication Speed	7 100 r/min
(Oil) Lubrication Speed	8 500 r/min



BEARING USA CORP.

Category	Single Row Ball Bearings
Inventory	0.0
Manufacturer Name	NSK
Minimum Buy Quantity	N/A
Weight / Kilogram	0.415
EAN	0029176063237
Product Group	B00308
Enclosure	Open
Precision Class	ABEC 1 ISO P0
Maximum Capacity / Filling Slot	No
Rolling Element	Ball Bearing
Snap Ring	Yes
Internal Special Features	No
Cage Material	Steel
Internal Clearance	C0-Medium
Inch - Metric	Metric
Long Description	60MM Bore; 95MM Outside Diameter; 18MM Outer Race Width; Open; Ball Bearing; ABEC 1 ISO P0; No Filling Slot; Yes Snap Ring; No Internal Special Features; C0-Medium Internal Clearance; Steel Cage
Other Features	Deep Groove With Snap Ring
Category	Single Row Ball Bearing
UNSPSC	31171504
Harmonized Tariff Code	8482.10.50.68
Noun	Bearing
Keyword String	Ball
Manufacturer URL	http://www.nskamericas.com
Weight / LBS	0.9085



BEARING USA CORP.

Outer Race Width	0.709 Inch 18 Millimeter
Inner Race Width	0 Inch 0 Millimeter
Outside Diameter	3.74 Inch 95 Millimeter
Bore	2.362 Inch 60 Millimeter
SRI	5.34
hidYobi	6012NR
LangID	1
ro	0.6
D_	95
SREX	0.025
B_	18
da min	66.5
hidTable	ecat_NSRDGB
Oil rpm	8500
SRE	5.34
Cy	5
mass	0.412
GRS rpm	7100
ra	1
SRIX	0.025
D_a	88.5
SRIN	-0.025
C0	23.2
fo	15.6
SREN	-0.025
DE_	87.819
Prod_Type3	DGBB_SR_NR_OT
DA_	10.319
bomp	0
Z_	14
yobi	6012NR
Dx	103



BEARING USA CORP.

C_conv	29500
ALPHA_	0
SDM_	77.5
r	1.1
KBRG	6101
SBRG	10
DI_	67.181