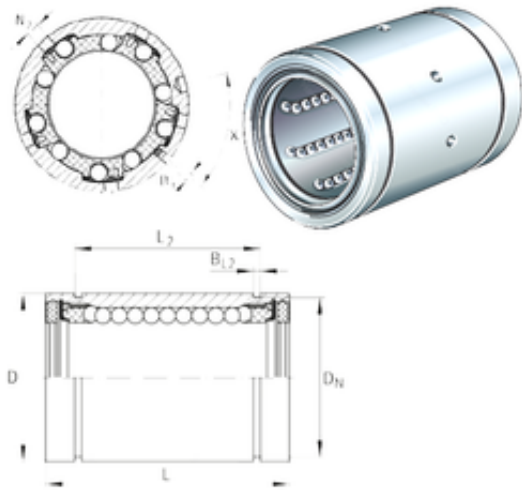




BEARING USA CORP.



KBS25-PP-AS Bearing 2D drawings and 3D CAD models

Bearings 10-6062 Bearings For Oil Production & Drilling (Mud Pump Bearing)

Bearing No. KBS25-PP-AS

Bore Diameter	25 mm
Outer Diameter	40 mm
Fw	25 mm
D	40 mm
Dn	37,5 mm
L2	43,7 mm
B3	1 mm
N2	2,5 mm
L	58 mm
BL2	1,85 mm
Angle (X)	62
Weight	0,19 Kg
Basic dynamic load rating (C)	2,95 kN
Category	Bearings
Inventory	0.0
Manufacturer Name	SCHAEFFLER GROUP
Minimum Buy Quantity	N/A
Weight / Kilogram	0
Product Group	B04264