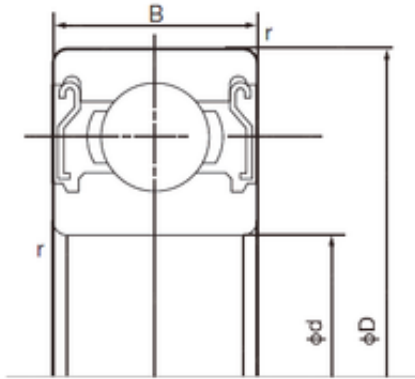




BEARING USA CORP.

80 mm x 110 mm x 16 mm E35-KLL Insert Ball Bearing 35x72x51.3mm



Bearing No. 6916ZZ

6916ZZ Bearing 2D drawings and 3D CAD models

Size	80x110x16 mm
Bore Diameter	80 mm
Outer Diameter	110 mm
Width	16 mm
d	80 mm
D	110 mm
B	16 mm
C	16 mm
r min.	1 mm
da min.	85 mm
Da max.	105 mm
ra max.	1.0 mm
Weight	0.363 Kg
Basic dynamic load rating (C)	27,6 kN
Basic static load rating (C0)	25,3 kN
Category	Single Row Ball Bearings
Inventory	0.0
Manufacturer Name	NACHI
Minimum Buy Quantity	N/A
Weight / Kilogram	0.363
EAN	4991893820973
Product Group	B00308
Enclosure	2 Metal Shields
Precision Class	ABEC 1 ISO P0
Maximum Capacity / Filling	No



BEARING USA CORP.

Slot	
Rolling Element	Ball Bearing
Snap Ring	No
Internal Special Features	No
Internal Clearance	C0-Medium
Inch - Metric	Metric
Long Description	80MM Bore; 110MM Outside Diameter; 16MM Outer Race Diameter; 2 Metal Shields; Ball Bearing; ABEC 1 ISO P0; No Filling Slot; No Snap Ring; No Internal Special Features
Category	Single Row Ball Bearing
UNSPSC	31171504
Harmonized Tariff Code	8482.10.50.68
Noun	Bearing
Keyword String	Ball
Manufacturer URL	http://www.nachi.com
Manufacturer Item Number	6916 ZZ BV2S
Weight / LBS	0.8
Bore	3.15 Inch 80 Millimeter
Outside Diameter	4.331 Inch 110 Millimeter
Outer Race Width	0.63 Inch 16 Millimeter
Bore Type	Cylindrical Bore
Configuration	Single Row
Bore Size	80 mm
Width	16 mm
Fillet Radius/Chamfer	1 mm
Dynamic Load Rating	27,600 N
Static Load Rating	25,300 N
Limiting Speed - Grease	5,700 rpm
Factor fo	16.4
Radial Clearance	0.010 to 0.030 mm



BEARING USA CORP.

da (min)	85 mm
Da (max)	105 mm
ra (max)	1 mm