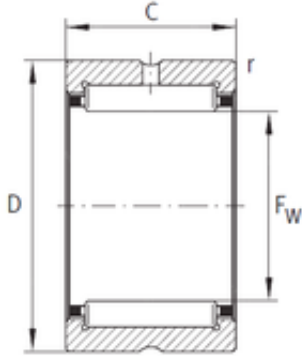




BEARING USA CORP.

6403-2RS Bearings 17x62x17mm



Bearing No. RNA4919-XL

Size	110x130x35 mm
Bore Diameter	110 mm
Outer Diameter	130 mm
Width	35 mm
Fw	110 mm
D	130 mm
C	35 mm
r min.	1,1 mm
Weight	0,719 Kg
Basic dynamic load rating (C)	131 kN
Basic static load rating (C0)	260 kN
Fatigue load limit (Pu)	44,5
Reference speed	2900 r/min

RNA4919-XL Bearing 2D drawings and 3D CAD models