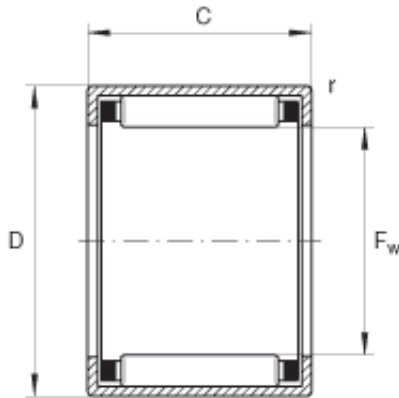




BEARING USA CORP.



684ZZ Ceramic Bearing

Bearing No. HK3012

HK3012 Bearing 2D drawings and 3D CAD models

Size	30x37x12 mm
Bore Diameter	30 mm
Outer Diameter	37 mm
Width	12 mm
F_w	30 mm
D	37 mm
C - 12 mm / Tolerance: -0,3	12 mm / Tolerance: 0,3
r_{min}	0,8 mm
m	23 g / Weight
C_r	12100 N / Dynamic load rating (radial)
C_{or}	18200 N / Static load rating (radial)
C_{ur}	2390 N / Fatigue limit load, radial
n_G	8600 1/min / Limiting speed
n_B	6300 1/min / Reference speed
	LR25X30X12,5 / Suitable inner ring
Category	Needle Non Thrust Roller Bearings
Inventory	0.0
Manufacturer Name	SCHAEFFLER GROUP
Minimum Buy Quantity	N/A
Weight / Kilogram	0.023
EAN	4012802897364
Product Group	B04144



BEARING USA CORP.

Rolling Element	Needle Roller Bearing
Component	Roller Assembly with Outer Ring - No Inner Ring
Enclosure	Open
Self Aligning	No
Retainer	Yes
Number of Rows of Rollers	Single Row
Separable	No
Closed End	No
Inch - Metric	Metric
Relubricatable	No
Thrust Bearing	No
Long Description	30MM Bore; 37MM Outside Diameter; 12MM Width; Needle Roller Bearing; Roller Assembly with Outer Ring - No Inner Ring; Open; Not Self Aligning; Retainer; Single Row of Rollers; Not Separable; Not Close
Other Features	2 Rib Outer Ring Drawn Cup Bearing Steel Cage
Category	Needle Non Thrust Roller Bearing
UNSPSC	31171512
Harmonized Tariff Code	8482.99.65.30
Noun	Roller Assembly with Outer Ring
Keyword String	Bearing Needle
Manufacturer URL	http://www.ina.com
Manufacturer Item Number	HK3012
Weight / LBS	0.051
Outside Diameter	1.457 Inch 37 Millimeter
Width	0.472 Inch 12 Millimeter
Bore	1.181 Inch 30 Millimeter



BEARING USA CORP.